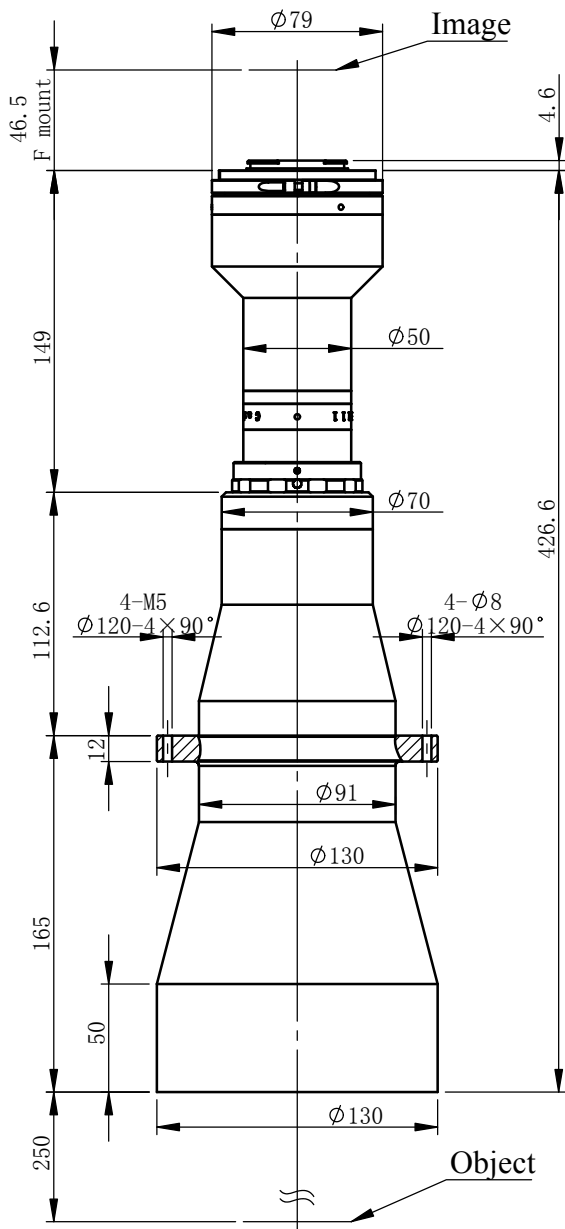


# XF-PTL11038-F-VI



## Specification

Optical structure	Bi-Telecentric
Magnification	0.357
Object field of view	$\phi 106.4\text{mm}$
Image field of view	$\phi 38\text{mm}$
Working Distance	$250\text{mm} \pm 3\%$
Telecentricity	$< 0.04^\circ (0.06^\circ)$
Depth of field	$6.9\text{--}44.1\text{mm}$
F#	F8.0-F50.5
Resolution	$14.8\text{--}93.4\mu\text{m}$
MTF	$> 0.3 @ 130\text{--}20\text{lp/mm}$
Distortion	$< 0.065\% (0.100\%)$
Detector type:	
71M	$31 \times 22$
2'	$23 \times 23$
4/3'	$18 \times 13.5$
1.1'	$14.2 \times 10.4$
2K Linear scan	$2048 \times 10\mu\text{m}$
4K Linear scan	$4096 \times 7\mu\text{m}$
	$86.8 \times 61.6\text{mm}$
	$64.4 \times 64.4\text{mm}$
	$50.4 \times 37.8\text{mm}$
	$39.8 \times 29.1\text{mm}$
	$57.4\text{mm}$
	$80.3\text{mm}$